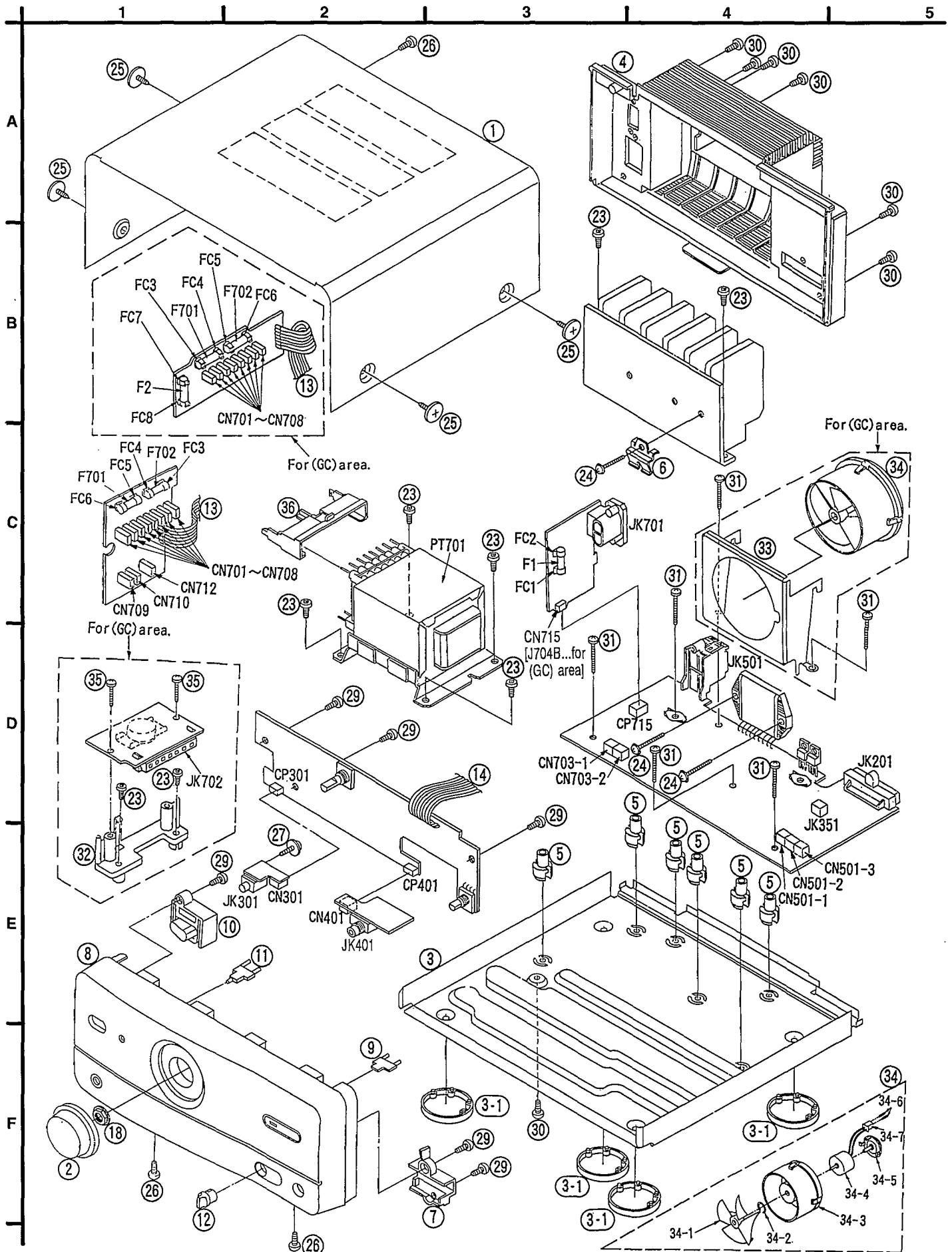


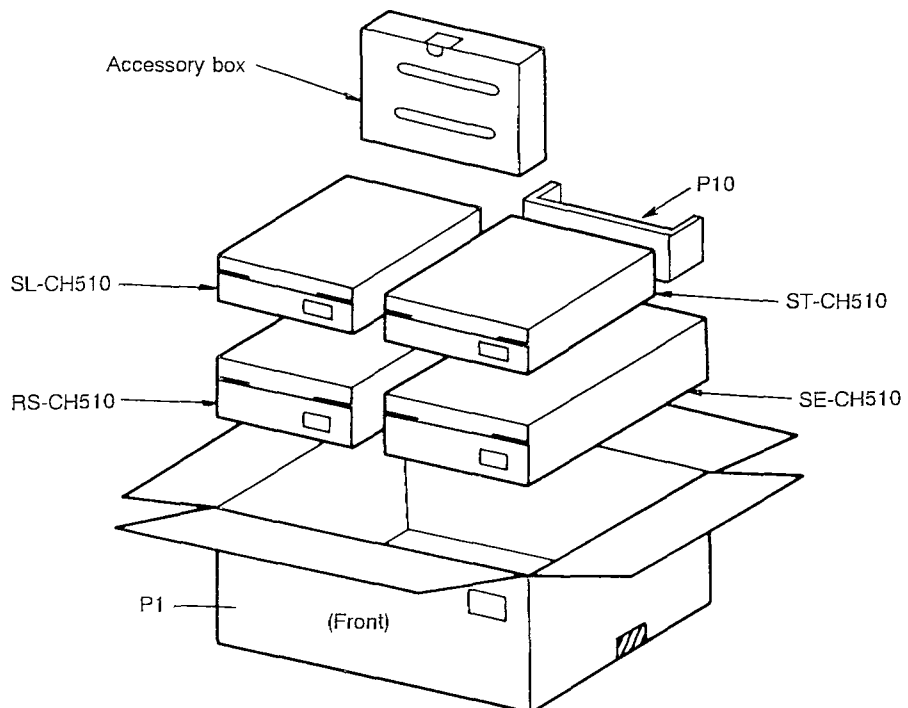
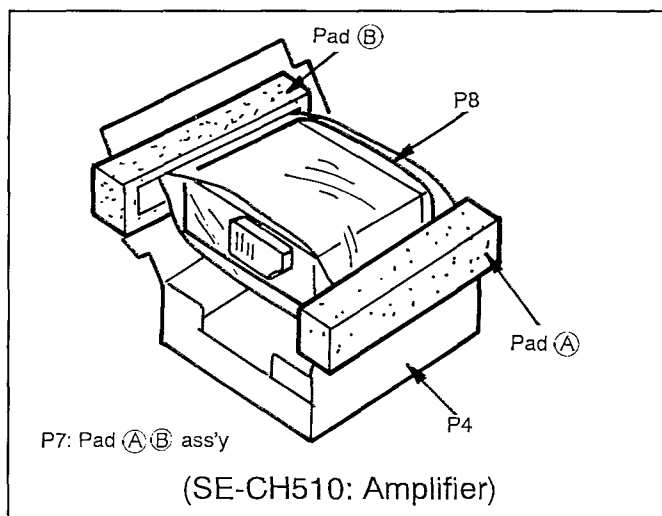
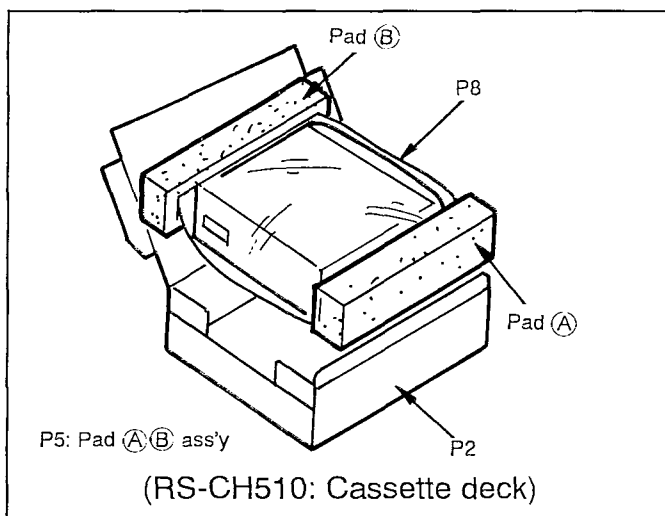
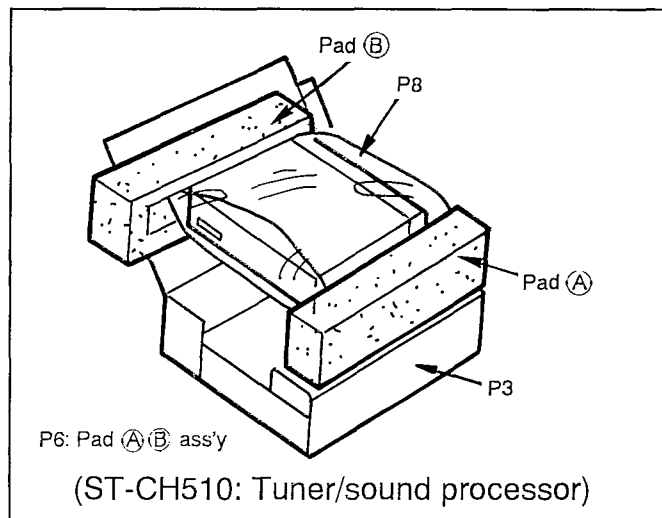
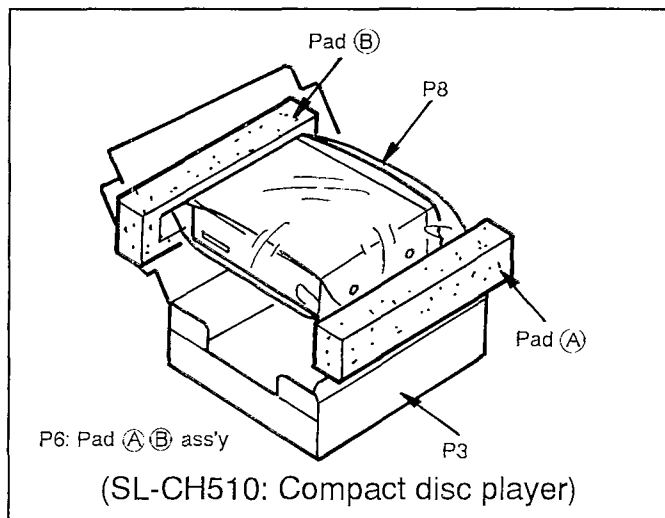


Ref. No.	Part No.	Part Name & Description	Remarks	Ref. No.	Part No.	Part Name & Description	Remarks
		CABINET PARTS LIST					
1	RKMO265A-K	CABINET		P3	RPG2232	PACKING CASE (CD-TUNER)	
2	RGW0207-K	KNOB, MAIN VOLUME		P4	RPG2230	PACKING CASE (AMPLIFIER)	
3	RFKJE1060EK	BOTTOM BOARD ASS'Y	(E, EB, EG, GN)	P5	RPN0815	PAD (DECK)	
3	RFKJE1060GCK	BOTTOM BOARD ASS'Y	(GC)	P6	RPN0816	PAD (CD-TUNER)	
3-1	RKA0011-3	FOOT		P7	RPN0817	PAD (AMPLIFIER)	
4	RFKHECH510EB	REAR PANEL ASS'Y	(EB, GN)	P8	SPP740	PROTECTION COVER	
4	RFKHECH510EG	REAR PANEL ASS'Y	(EG)	P9	RPQF0047	ACCESSORIES BOX	
4	RFKHECH510GC	REAR PANEL ASS'Y	(GC)	P10	RPQ0458	SPACER	
4	RKF0376C-K	REAR GRILL ASS'Y	(E)	P11	XZB25X34C03Y	PROTECTION COVER	
5	RKQ0089	P. C. B. SPACER				ACCESSORIES	
6	RMCO158	TRANSISTOR HOLDER		A1	RAK-CH144WH	REMOTE CONTROL TRANSMITTER	
7	RMNO277	HOLDER		A1-1	RKK0057-K	BATTERY COVER	
8	RFKGECH510EK	FRONT PANEL ASS'Y		A2	REF0499	SPEAKER CORD	
9	RFKNECH510EA	PANEL LIGHT A		A3	REX0511	FLAT CABLE (LONG TYPE)	
10	RGU1077-K	BUTTON, POWER		A4	REX0608	FLAT CABLE (SHORT TYPE)	
11	RFKNECH510EB	PANEL LIGHT B		A5	RJA0019-2A	AC POWER SUPPLY CORD	△ (E, EG, GC) (SF)
12	RGW0178-1K	KNOB, MIC VOLUME		A5	VJA0733	AC POWER SUPPLY CORD	△ (EB) (SF)
13	RWJ1808130XX	FLAT CABLE (8P) (W703)	(E, EB, EG, GN)	A5	RJA0036-K	AC POWER SUPPLY CORD	△ (GN)
13	RWJ1808100XX	FLAT CABLE (8P) (J703)	(GC)	A6	RFKSECH510EK	INSTRUCTION MANUAL	(E)
14	RWJ1812220QC	FLAT CABLE (12P) (W501)		A6	RFKSECH510EB	INSTRUCTION MANUAL	(EB)
18	RHN90001	NUT		A6	RQT2591-E	INSTRUCTION MANUAL	(EG)
23	XTB3+8JFZ	SCREW		A6	RQT2590-G	INSTRUCTION MANUAL	(GC)
24	XTW3+15T	SCREW		A6	RQT2589-B	INSTRUCTION MANUAL	(GN)
25	RHD30007	SCREW		A7	RQX7433ZA	WARRANTY CARD	(GN)
26	XTBS3+8JFZ1	SCREW		A7	RQA0013	WARRANTY CARD	(E, EB, EG)
27	RHD26016	SCREW		A8	RQCB0169	SERVICE CENTER LIST	
29	XTBS26+10J	SCREW		A9	RSA0007	FM INDOOR ANTENNA	
30	XTB3+10JFZ	SCREW		A10	RSA0012	AM LOOP ANTENNA	
31	XTB3+20JFZ	SCREW		A10-1	RMNO244	ANTENNA HOLDER	
32	RMNO190	HOLDER	(GC)	A10-2	XTN2+12AFZ	SCREW	
33	RMNO282	FAN ANGLE	(GC)	A11	SJP9009	ATTACHMENT PLUG	(EB)
34	SYE1128-4	FAN	(GC)	A12	SJP5213-2	POWER PLUG ADAPTOR	(GC)
34-1	SHE232	FAN	(GC)	A13	RFE0014	ANTENNA PLUG	(GC, GN)
34-2	SUS271	SPRING	(GC)				
34-3	SHE233-1	FAN CASE	(GC)				
34-4	MDN-4RB4MRC	MOTOR	(GC)				
34-5	SHE234	CAP	(GC)				
34-6	SJT783	TERMINAL	(GC)				
34-7	SJS5215	CONNECTOR (2P)	(GC)				
35	XTB3+12JFZ	SCREW	(GC)				
36	RMNO191	HOLDER					
		PACKING MATERIALS					
P1	RPG2146	PACKING CASE (SYSTEM)	(E, EG)				
P1	RPG2147	PACKING CASE (SYSTEM)	(EB)				
P1	RPG2148	PACKING CASE (SYSTEM)	(GC)				
P1	RPG2150	PACKING CASE (SYSTEM)	(GN)				
P2	RPG2231	PACKING CASE (DECK)					

# Cabinet Parts Location



# ■ Packaging



1044

